



**BUILDING CODE COMPLIANCE OFFICE (BCCO)
PRODUCT CONTROL DIVISION**

**MIAMI-DADE COUNTY, FLORIDA
METRO-DADE FLAGLER BUILDING
140 WEST FLAGLER STREET, SUITE 1603
MIAMI, FLORIDA 33130-1563
(305) 375-2901 FAX (305) 375-2908**

NOTICE OF ACCEPTANCE (NOA)

**James Hardie Building Product, Inc.
10901 Elm Avenue
Fontana, CA 92337**

SCOPE: This NOA is being issued under the applicable rules and regulations governing the use of construction materials. The documentation submitted has been reviewed by Miami-Dade County Product Control Division and accepted by the Board of Rules and Appeals (BORA) to be used in Miami Dade County and other areas where allowed by the Authority Having Jurisdiction (AHJ).

This NOA shall not be valid after the expiration date stated below. The Miami-Dade County Product Control Division (In Miami Dade County) and/or the AHJ (in areas other than Miami Dade County) reserve the right to have this product or material tested for quality assurance purposes. If this product or material fails to perform in the accepted manner, the manufacturer will incur the expense of such testing and the AHJ may immediately revoke, modify, or suspend the use of such product or material within their jurisdiction. BORA reserves the right to revoke this acceptance, if it is determined by Miami-Dade County Product Control Division that this product or material fails to meet the requirements of the applicable building code.

This product is approved as described herein, and has been designed to comply with the Florida Building Code including the High Velocity Hurricane Zone.

DESCRIPTION: Hardiplank, Cemplank, Hardipanel, Cempanel, Hardisoffit and Cemsoffit

APPROVAL DOCUMENT: Drawing No. HPNL-8X, HPLK-4X8 & HSOFIT-8X, titled "Hardipanel & Cempanel; Hardiplank & Cemplank; Hardisoffit & Cemsoffit Installation Details", sheets 1 through 3 with no revisions, prepared, signed and sealed by Ronald Ogawa, P.E., dated 04/02/04, bearing the Miami-Dade County Product Control Renewal stamp with the Notice of Acceptance number and expiration date by the Miami-Dade County Product Control Division.

MISSILE IMPACT RATING: Large and Small Missile Impact

LABELING: Each unit shall bear a permanent label with the manufacturer's name or logo, city, state and following statement: "Miami-Dade County Product Control Approved", unless otherwise noted herein.

RENEWAL of this NOA shall be considered after a renewal application has been filed and there has been no change in the applicable building code negatively affecting the performance of this product.

TERMINATION of this NOA will occur after the expiration date or if there has been a revision or change in the materials, use, and/or manufacture of the product or process. Misuse of this NOA as an endorsement of any product, for sales, advertising or any other purposes shall automatically terminate this NOA. Failure to comply with any section of this NOA shall be cause for termination and removal of NOA.

ADVERTISEMENT: The NOA number preceded by the words Miami-Dade County, Florida, and followed by the expiration date may be displayed in advertising literature. If any portion of the NOA is displayed, then it shall be done in its entirety.

INSPECTION: A copy of this entire NOA shall be provided to the user by the manufacturer or its distributors and shall be available for inspection at the job site at the request of the Building Official.

This NOA **renews** NOA # **02-0729.02** and, consists of this page, evidence page as well as approval document mentioned above.

The submitted documentation was reviewed by **Carlos M. Utrera, P.E.**



**NOA No 07-0418.04
Expiration Date: May 01, 2012
Approval Date: May 31, 2007
Page 1**

James Hardie Building Products, Inc.

NOTICE OF ACCEPTANCE: EVIDENCE PAGE

A DRAWING (submitted under NOA No. 02-0729.02)

1. Drawing prepared by James Hardie Building Products, Inc. titled "Hardipanel & Cempanel; Hardiplank & Cemplank; Hardisoffit & Cemsoffit Installation Details", drawing No HPNL-8X, HPLK-4X8 & HSOFFIT-8X, dated 04/02/04, with no revisions, signed and sealed by R. L. Ogana, PE.

B TEST (submitted under NOA No. 02-0729.02)

Laboratory Report	Test	Date	Signature
1. ATI-16423-1	PA 202 & 203	03/18/96	A. N. Reeves PE.
2. ATI 16423-2	PA 202 & 203	03/18/96	A. N. Reeves PE.
3. ATI 16423-3	PA 202 & 203	03/18/96	A. N. Reeves PE.

C QUALITY ASSURANCE

1. Building Code Compliance Office.

D MATERIAL CERTIFICATION (submitted under NOA No. 02-0729.02)

- 1 Standard Compliance (ASTM C-1185) issued by ETL Testing Laboratories on 05/09/95 signed by D. K. Tucker, PE.
- 2 Evaluation Report NER-405 issued by National Evaluation Service, Inc. on 01/01/93, with no signature.

E STATEMENT (submitted under NOA No. 02-0729.02)

1. No change letter issued by James Hardie Building Products, Inc. issued on 02/16/99, signed and by J. L Mulder.
2. Power of Attorney and Appointment of Domestic Representative, signed by P. Shafron on 04/17/02, Assignment and Memorandum of Assignment signed by T. P. Dolmans on 04/16/02 and Assignment for the trade marks of Cemplank, Cempanel and Cemsoffit to the Assistant Commissioner for Trademarks signed by V. Lester and P. Shafron on 04/18/02.

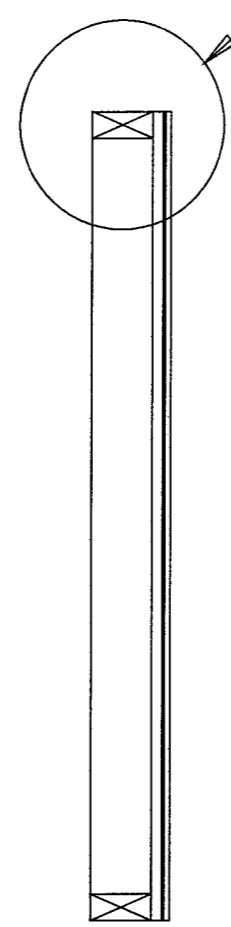
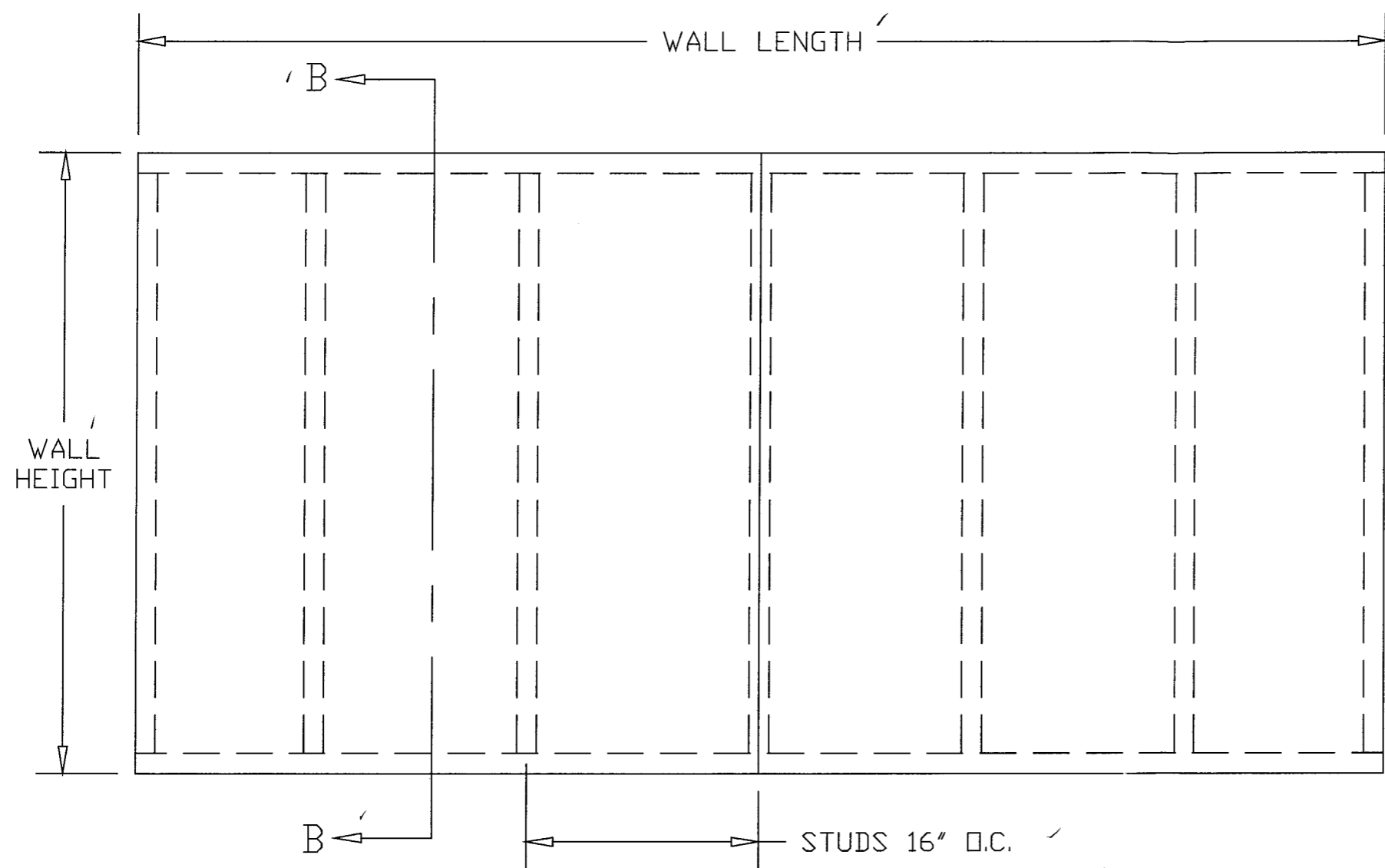
E OTHERS

1. No change letter issued by James Hardie Building Products, Inc. issued on 04/02/07, signed and sealed by Chad Diercks, Technical Services Manger.
2. Engineer of record letter issued by Ronald Ogawa & Associates, Inc., dated April 3, 2007, signed and sealed by Ronald I. Ogawa, P.E.



Carlos M. Utrera, P.E.
Product Control Examiner
NOA No 07-0418.04
Expiration Date: May 01, 2012
Approval Date: May 31, 2007

REVISION BLOCK
REV. # / DATE:



DESCRIPTION
 Hardipanel & Cempanel siding material is a non asbestos fiber cement product tested in accordance with ASTM C-1185 and meeting the requirements of the Florida Building Code.

PANEL DIMENSIONS
 Width Length Thickness
 48" 8,9,10' 5/16"

DESIGN PRESSURE RATING
 Installation Design Pressure
 Wood frame -76 PSF
 Metal frame -104 PSF

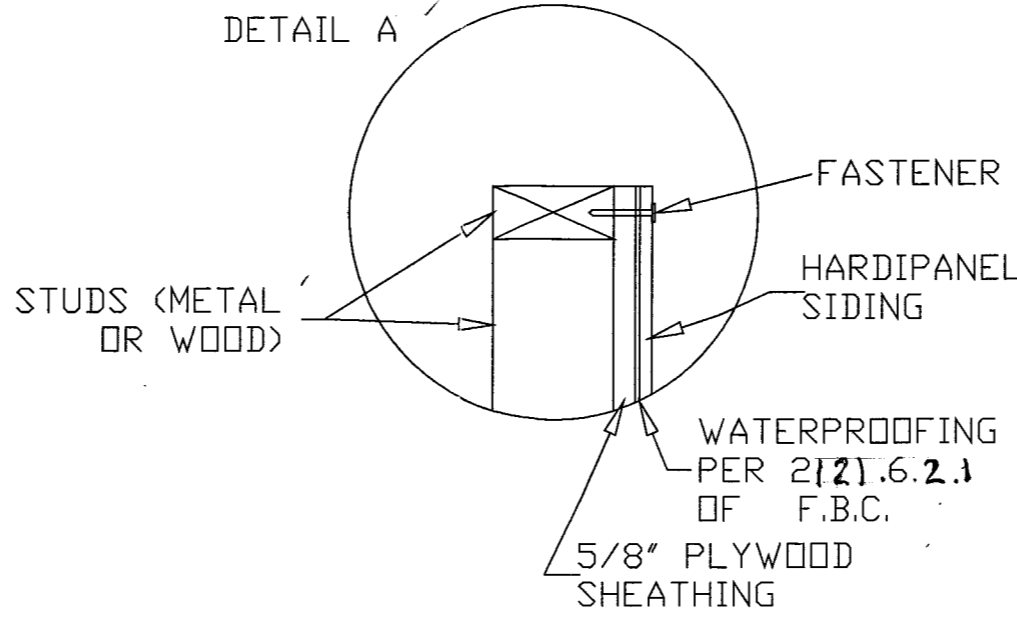
Handwritten signature and date: 4/2/04

NOTES
 1) ALL INSTALLATION SHALL BE DONE IN CONFORMANCE WITH THIS NOTICE OF ACCEPTANCE, THE MANUFACTURER'S INSTALLATION RECOMMENDATIONS, AND THE APPLICABLE SECTIONS OF THE FLORIDA BUILDING CODE.

2) STUDS OF METAL OR WOOD WHERE HARDIPANEL & CEMPANEL WILL BE INSTALLED SHALL BE DESIGNED BY AN ENGINEER OR ARCHITECT PER THE F.B.C. AND THE REQUIREMENTS OF THIS N.O.A.

HARDIPANEL & CEMPANEL SIDING INSTALLATION DETAILS
 The panels are applied vertically, avoiding horizontal joints, over 5/8" (5 ply) APA rated plywood supported by a minimum of 2"x4" wood studs or 20 ga. x 3 5/8" x 1 3/8" steel studs spaced a maximum of 16" o.c. When installed on wood studs panels shall be fastened with 6d x 2" long galvanized box nails; on steel studs it shall be fastened with #8 x 1 5/8" x 0.315" corrosion resistance H.D. ribbed bugle screws. The fasteners shall be placed @ 6" o.c. around the perimeter of the panel and intermediate studs, driven through the plywood sheathing into the studs. All joints shall be over studs. Nails and screws shall have a minimum edge distance of 3/8" and a minimum clearance of 2" from the corners.

5/8" PLYWOOD SHEATHING SHALL BE ATTACHED TO THE STUDS IN ACCORDANCE TO FLORIDA BUILDING CODE, WITH ANOTHER SET OF NAILS OR SCREWS AS UNDERLINED ABOVE.



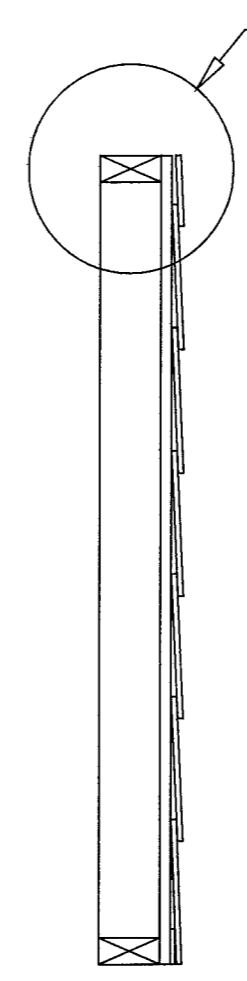
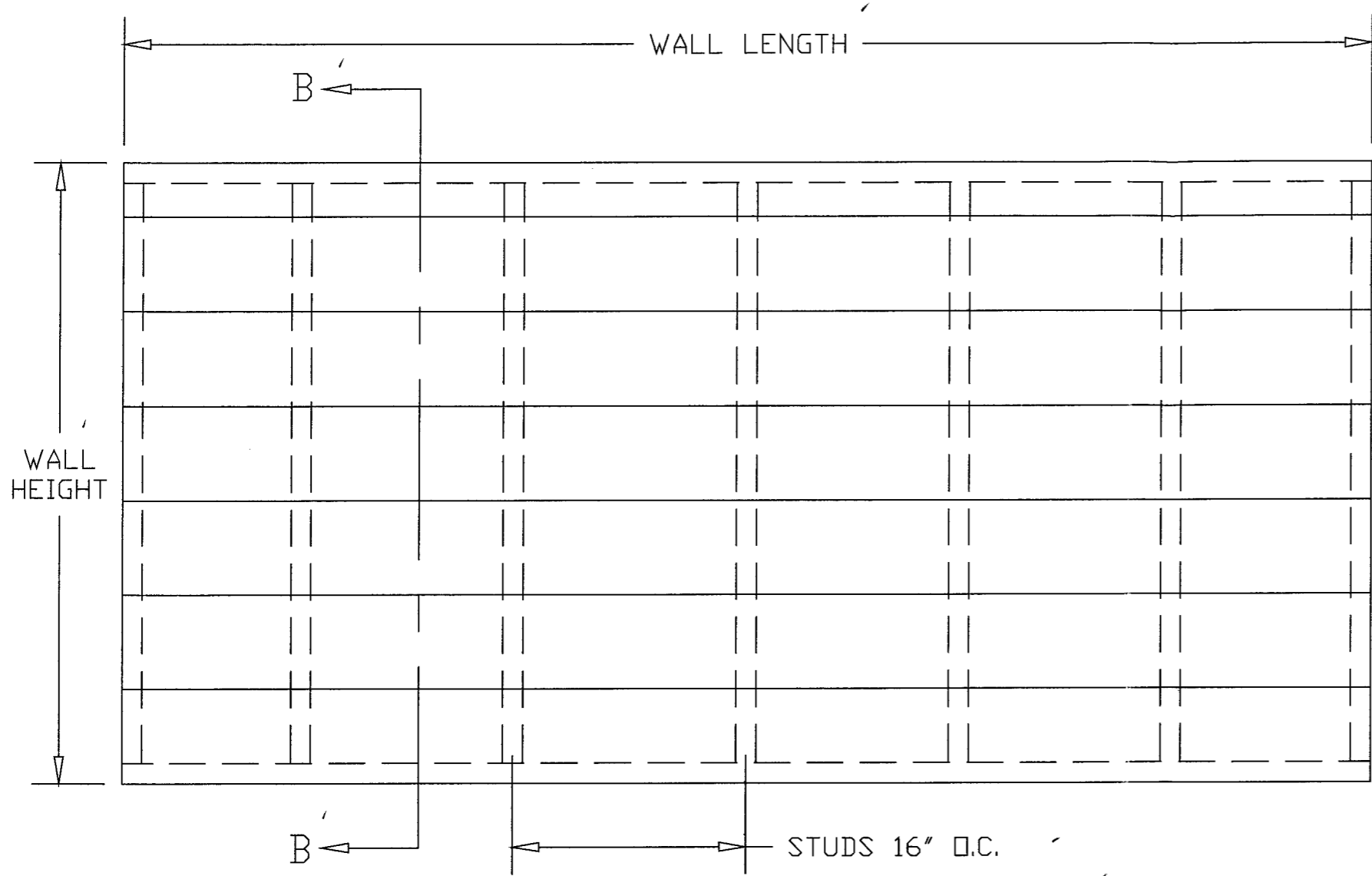
SECTION B-B

PRODUCT REVIEWED
 as complying with the Florida Building Code
 Approval No. 07-0418.04
 Expiration Date 05/01/2012
 By *[Signature]*
 Miami Code Product Control Division

PRODUCT REVIEWED
 as complying with the Florida Building Code
 Approval No. 02-0729.02
 Expiration Date 05/01/07
 By *[Signature]*
 Miami Code Product Control Division

JAMES HARDIE BUILDING PRODUCTS - USA RESEARCH & DEVELOPMENT CENTER	10901 ELM AVENUE FONTANA, CA 92337 909-356-6300 FAX: 909-427-0634
	This drawing and the copyright therein are the property of the above company and accordingly the drawing must not be copied or reproduced in any material form whatsoever.
DATE: 04/02/2004 DRG NO.: HPNL-8X SHEET NO.: 1/3	TITLE: HARDIPANEL® & CEMPANEL® INSTALLATION DETAILS
APPROVING ENG: _____ ENG DISCIPLINE: _____	SCALE: NTS DRAWN BY: C DIERCKS ENG NO.: _____

REVISION BLOCK
REV. # / DATE:



DESCRIPTION
 Hardiplank & Cemplank siding material is a non asbestos fiber cement product tested in accordance with ASTM C-1185 and meeting the requirements of the Florida Building Code.

PLANK DIMENSIONS
 Width Length Thickness
 ≤ 9 1/2" 12 & 14' 5/16"

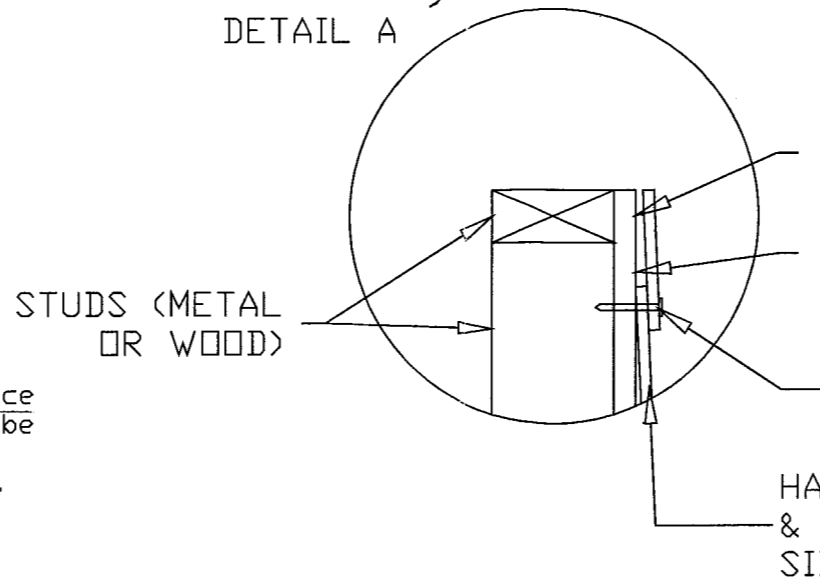
DESIGN PRESSURE RATING
 Installation Design Pressure
 Wood frame -92 PSF
 Metal frame -92 PSF

NOTES
 1) ALL INSTALLATION SHALL BE DONE IN CONFORMANCE WITH THIS NOTICE OF ACCEPTANCE, THE MANUFACTURER'S INSTALLATION RECOMMENDATIONS, AND THE APPLICABLE SECTIONS OF THE FLORIDA BUILDING CODE.
 2) STUDS OF METAL OR WOOD WHERE HARDIPLANK & CEMPLANK WILL BE INSTALLED SHALL BE DESIGNED BY AN ENGINEER OR ARCHITECT PER THE F.B.C. AND THE REQUIREMENTS OF THIS N.O.A.

Handwritten signature and date: 4/5/04

HARDIPLANK & CEMPLANK SIDING INSTALLATION DETAILS
 The planks are applied horizontally commencing from the bottom course of a wall with 1 1/4" wide laps at top of the plank. The optional PVC cover molding 1 5/8" wide is applied to the bottom plate under the bottom plank course. The vertical joints must be over framing members. Optional PVC butt joints inserts are used for on-stud jointing. The planks are to be installed over 5/8" (5 ply) APA rated plywood supported by a minimum of 2"x4" wood studs or 20 ga. x 3 5/8" x 1 3/8" steel studs spaced a maximum of 16" o.c. The siding shall be fastened through over lapping planks with 8d x 2 1/2" long galvanized box nails over wood studs or with #8 x 2 1/4" long x 0.315" corrosion resistance H.D. ribbed bugle screws over steel studs. The fasteners shall be placed in the over-lapping area ≤ 8" o.c. vertically and 16" o.c. horizontally into the studs through the 5/8" plywood sheathing. A distance of 3/4" from the edges shall always be observed.

5/8" PLYWOOD SHEATHING SHALL BE ATTACHED TO THE STUDS IN ACCORDANCE TO FLORIDA BUILDING CODE, WITH ANOTHER SET OF NAILS OR SCREWS AS UNDERLINED ABOVE.



SECTION B-B

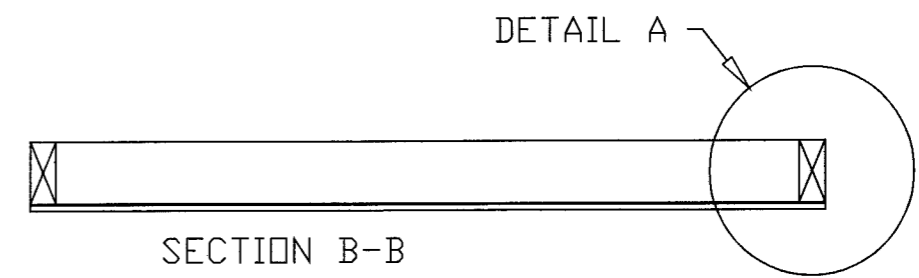
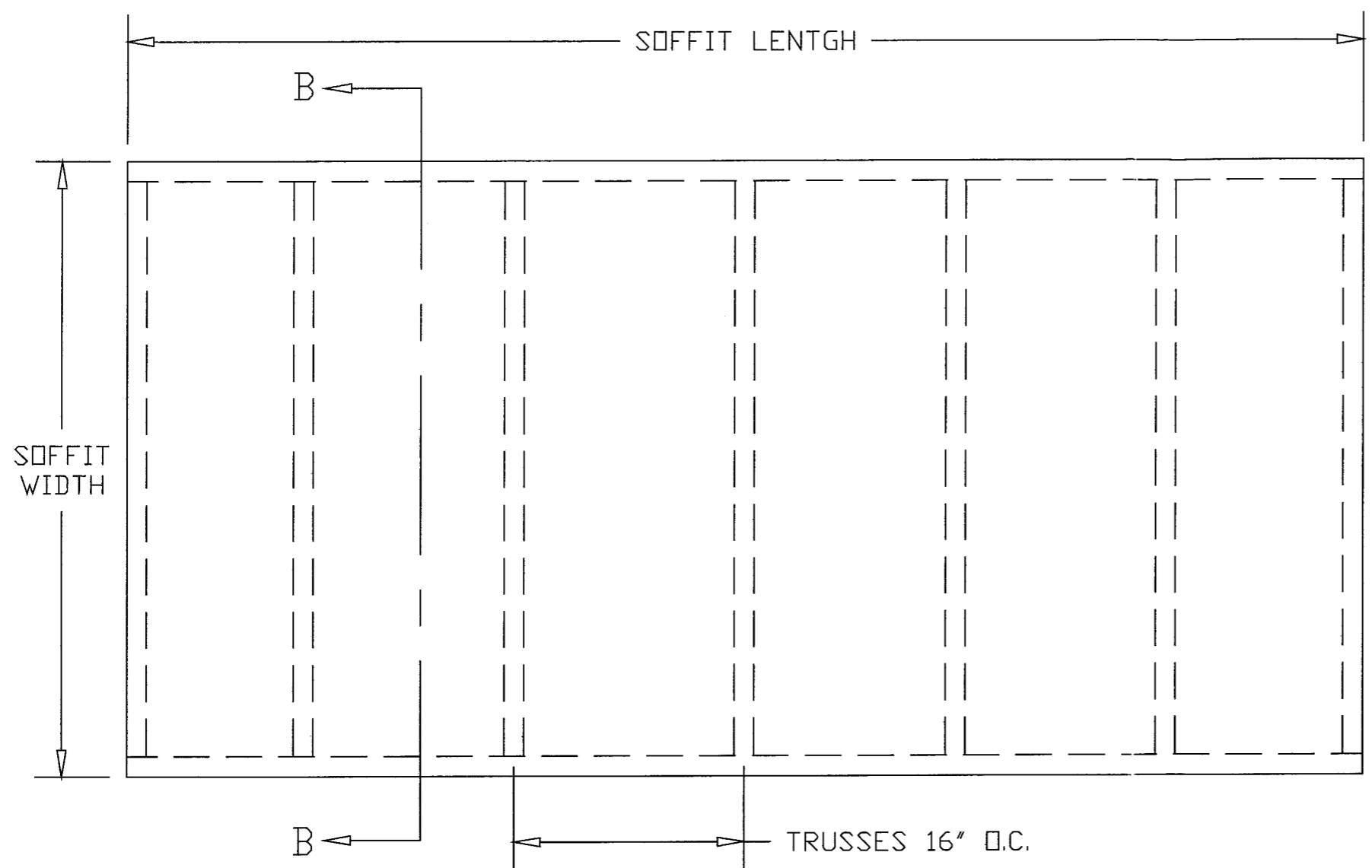
PRODUCT RENEWED
 as complying with the Florida Building Code
 Acceptance No. 07-0418.04
 Expiration Date 05/01/2012
 By: *[Signature]*
 Miami Date Product Control Division

PRODUCT REVISED
 as complying with the Florida Building Code
 Acceptance No. 02-0729.02
 Expiration Date 05/01/07
 By: *[Signature]*
 Miami Date Product Control Division

5/8" PLYWOOD SHEATHING WATERPROOFING PER 2121.6.2.1 OF F.B.C.

JAMES HARDIE BUILDING PRODUCTS - USA RESEARCH & DEVELOPMENT CENTER	10901 ELM AVENUE FONTANA, CA 92337 909-356-6300 FAX: 909-427-0634	
	This drawing and the copyright therein are the property of the above company and accordingly the drawing must not be copied or reproduced in any material form whatsoever.	DATE: 04/02/2004
TITLE: HARDIPLANK® & CEMPLANK® INSTALLATION DETAILS	DRG NO.: HPLK-4X8	
	SHEET NO.: 2/3	
APPROVING ENG:	SCALE: NTS DRAWN BY: C DIERCKS ENG NO.:	
ENG DISCIPLINE:	ENG NO.:	

REVISION BLOCK
REV. # / DATE:



DESCRIPTION
 Hardisoffit & Cemsoffit panels material is a non asbestos fiber cement product tested in accordance with ASTM C-1185 and meeting the requirements of the Florida Building Code.

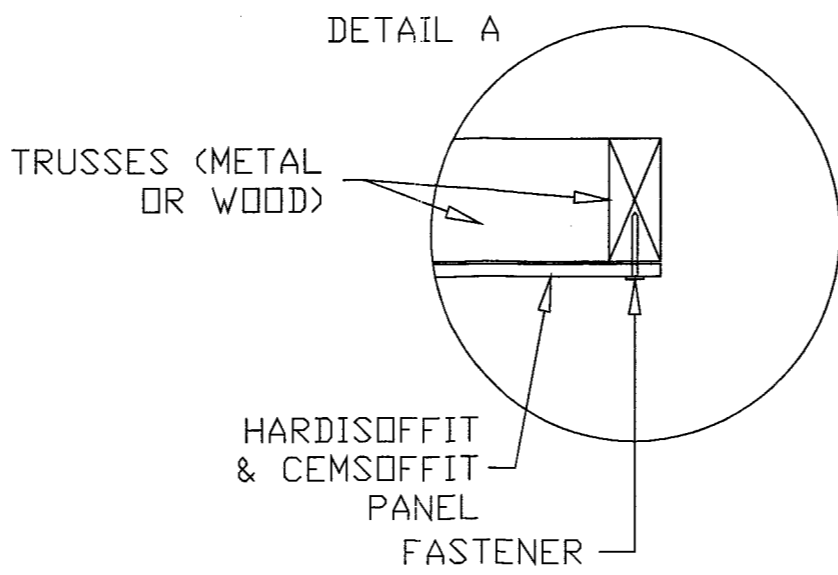
SOFFIT DIMENSIONS
 Width Length Thickness
 ≤48" 8,9,10' 1/4" & 5/16"

DESIGN PRESSURE RATING
 Installation Design Pressure
 Wood frame ±53 PSF
 Metal frame ±53 PSF

NOTES
 1) ALL INSTALLATION SHALL BE DONE IN CONFORMANCE WITH THIS NOTICE OF ACCEPTANCE, THE MANUFACTURER'S INSTALLATION RECOMMENDATIONS, AND THE APPLICABLE SECTIONS OF THE FLORIDA BUILDING CODE.
 2) TRUSS OF METAL OR WOOD WHERE HARDISOFFIT & CEMSOFFIT WILL BE INSTALLED SHALL BE DESIGNED BY AN ENGINEER OR ARCHITECT PER THE F.B.C. AND THE REQUIREMENTS OF THIS N.O.A.

Handwritten signature and date: 05/01/02

HARDISOFFIT & CEMSOFFIT PANEL INSTALLATION DETAILS
 The soffit panels are to be installed over minimum 2"x4" wood joists or 20 ga. x 3 5/8" x 1 3/8" steel joists spaced a maximum of 16" o.c. When installed on wood joists Hardisoffit shall be fastened with 6d x 2" long galvanized box nails; on steel studs it shall be fastened with #8 x 1 1/4" x 0.315" corrosion resistance H.D. ribbed bugle screws. The fasteners shall be placed 4" o.c. around the perimeter of the panel and intermediate studs. Nails and screws shall have a minimum edge distance of 3/8" and a minimum clearance of 2" from corners.



PRODUCT RENEWED
 as complying with the Florida Building Code
 Acceptance No. 07-0418.04
 Expiration Date 05/01/2012
 By: *[Signature]*
 Miami Dade Product Control Division

PRODUCT REVISED
 as complying with the Florida Building Code
 Acceptance No. 02-0729.02
 Expiration Date 05/01/02
 By: *[Signature]*
 Miami Dade Product Control Division

JAMES HARDIE BUILDING PRODUCTS - USA RESEARCH & DEVELOPMENT CENTER	10901 ELM AVENUE FONTANA, CA 92337 909-356-6300 FAX: 909-427-0634	
	This drawing and the copyright therein are the property of the above company and accordingly the drawing must not be copied or reproduced in any material form whatsoever.	DATE: 04/02/2004 DRG NO.: HSOFFIT-8X SHEET NO.: 3/3
TITLE: HARDISOFFIT® & CEMSOFFIT® INSTALLATION DETAILS	SCALE: NTS DRAWN BY: C DIERCKS	ENG NO.:
APPROVING ENG:	ENG DISCIPLINE:	